

## Eco Preparation 1600 mm Wall Cupboard with 2 Sliding Doors

ITEM # \_\_\_\_\_

MODEL # \_\_\_\_\_

NAME # \_\_\_\_\_

SIS # \_\_\_\_\_

AIA # \_\_\_\_\_


**132924 (SPS16LCN)**

Wall Cupboard with 2 sliding doors, 1600mm

### Short Form Specification

Item No. \_\_\_\_\_

Constructed in stainless steel. Inner door, intermediate shelf, rear panel and reinforcements in stainless steel. Double-walled sliding doors. Handles are formed by a fold in the sliding doors. Back and bottom are made from a single bended stainless steel

### Main Features

- Sturdiness, stability and reliability of table accurately tested.

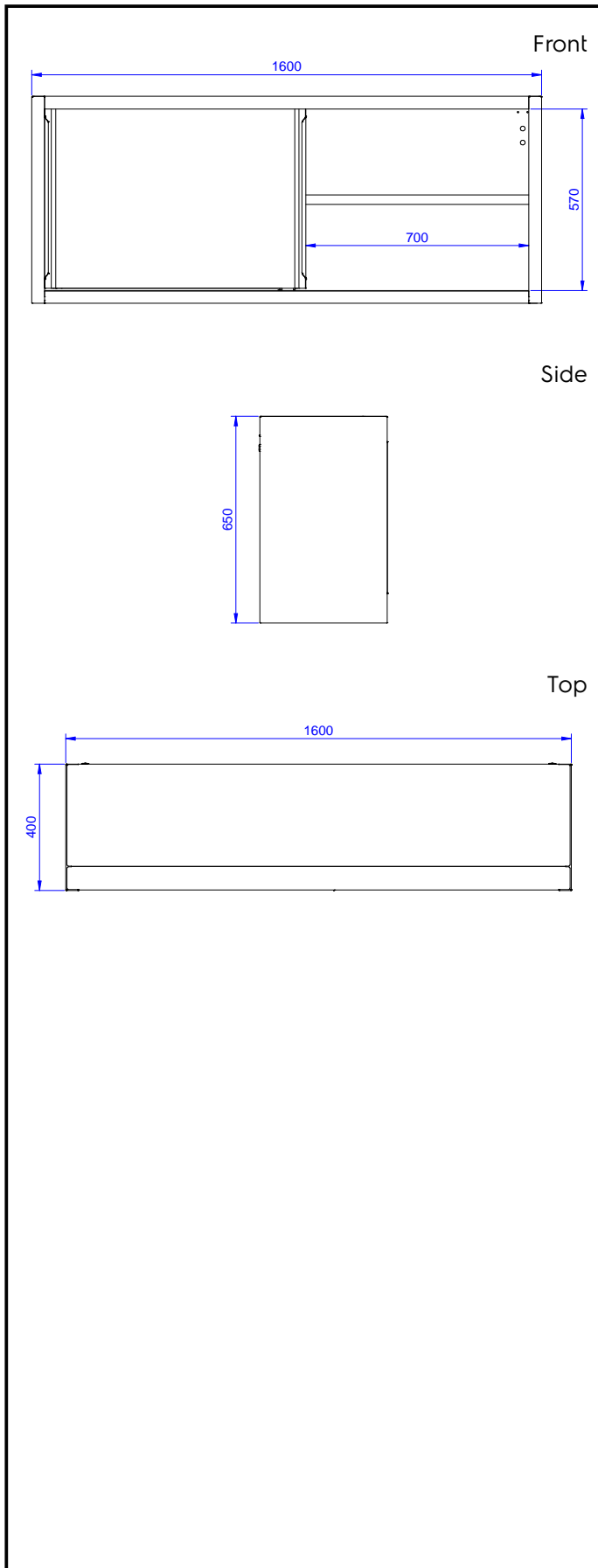
### Construction

- Wall cupboard features an ergonomic handle and an internal shelf which can be positioned at three different levels.
- Two double-walled sliding doors flush fitting to the front of the frame can easily be removed without the use of tools to facilitate cleaning of the cupboard interior.
- Constructed entirely in stainless steel to offer maximum durability.
- Sturdy sound-deadened sliding doors on tracks located flush to the front of the frame.
- Scotch Brite finish to meet the highest hygiene standards.

### Optional Accessories

- Lighting kit with led for wall cupboards (1000mm and 1200mm) PNC 850709
- Lighting kit with led for wall cupboards (1400mm, 1600mm and 1800mm) PNC 850710

APPROVAL: \_\_\_\_\_



**Key Information:**

N° of doors: 2  
132924 (SPS16LCN)  
External dimensions, Width: 1600 mm  
External dimensions, Depth: 400 mm  
External dimensions, Height: 650 mm